

# PRODUCT DATASHEET

## ACCESS MANAGER

WALL READER

# ACCESS MANAGER

ON- OFF LINE WALL READER

## WALL READER

ACCESS Manager - wall reader is available in various operating modes:

STAND-ALONE: ACCESS Manager is a wall reader head + relay on board

OFFLINE: ACCESS Manager + door manager

ONLINE: ACCESS Manager + wifi access point

### 1. STAND ALONE

In the stand alone mode you need:

1 ACCESS Manager

1 Power supply 12VDC-48V DC

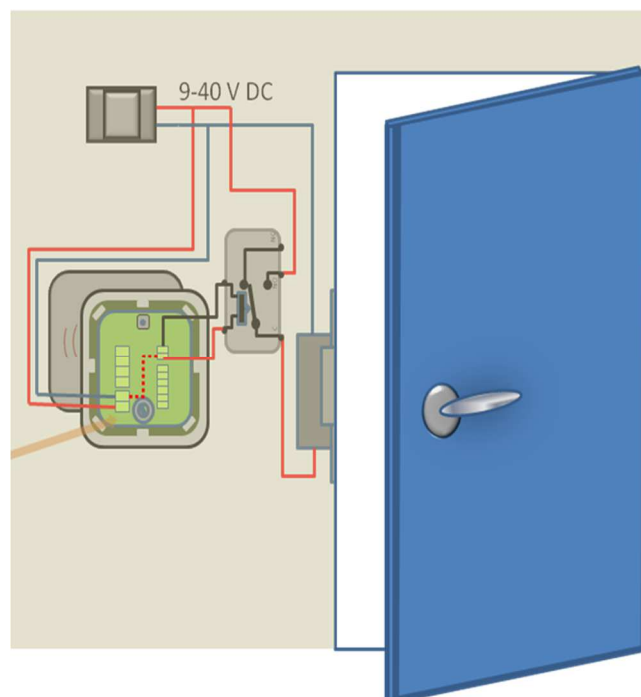


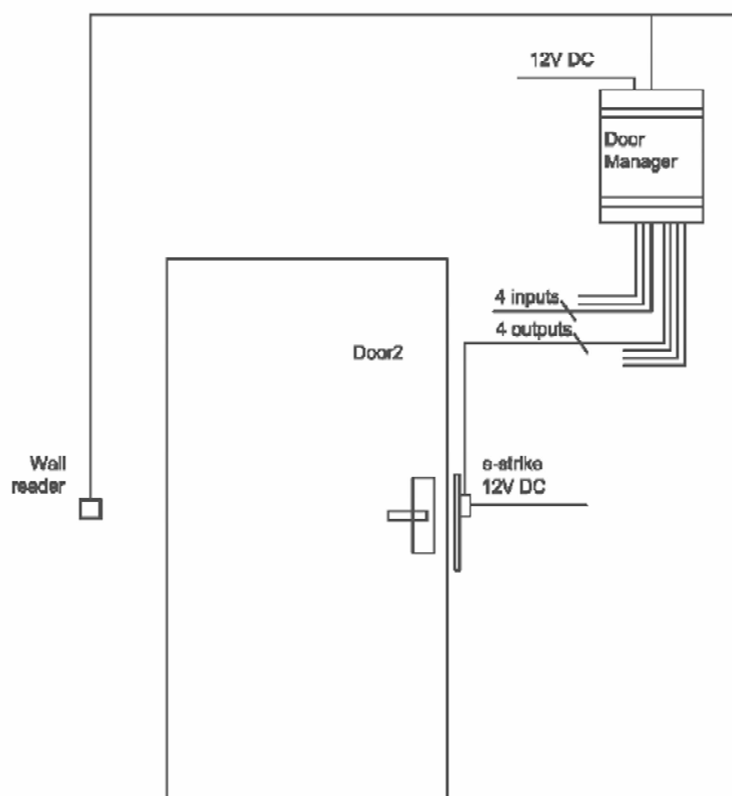
Fig. 1: Wall Reader with e-Strike

## 1. OFFLINE // Security mode

In the offline operating mode you need:

- 1 ACCESS Manager
- 1 DOOR Manager
- 1 Power supply

is required to control and steer the access at a door using voltage supply.



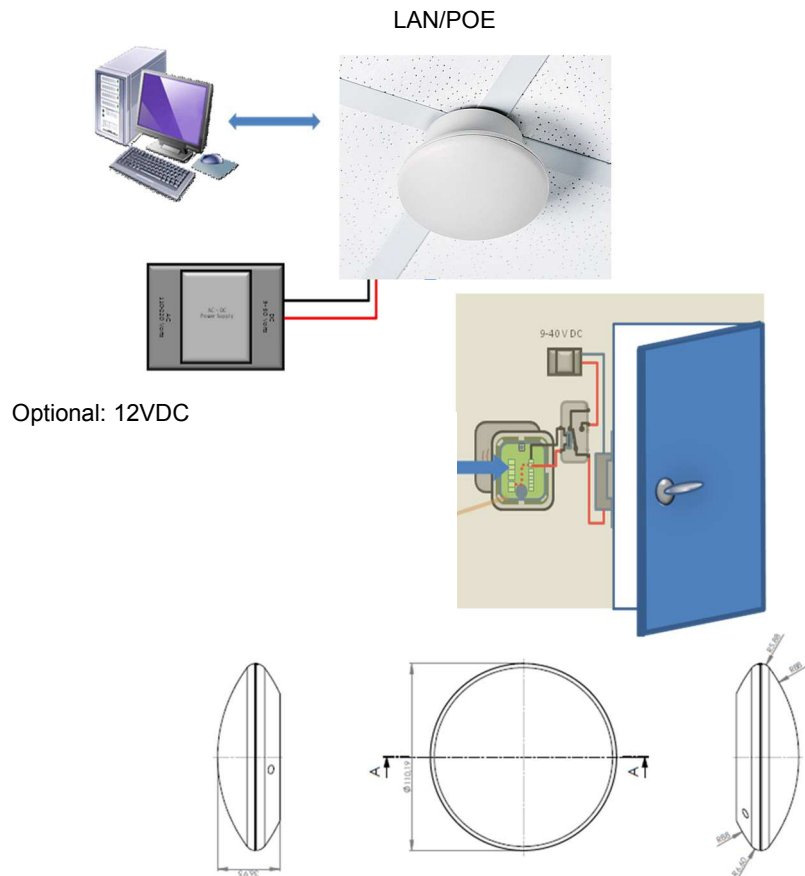
The interconnection of the devices amongst one another is carried out via the internal 4-pin BUS. The bus supplies, amongst other things, the individual devices with the necessary voltage and the necessary bus information. A safe operation (security wall reader - reduced intelligence) is thereby ensured.

### 3: Wireless ONLINE

In the wireless Online mode you need:

- 1 ACCESS Manager
- 1 DOOR Manager for security use
- 1 Power supply
- 1 Acces point

are required to control and steer the access at a door using voltage supply.  
In the online mode, various compositions are possible.



#### General parameters

Communication range: 50m (depends on installation environment)  
 Unique serial number: 6B  
 Internal memory: 1024B  
 Communication interface: LAN, RS-485, open collector

#### Electrical parameters

Power supply voltage: 12-42V DC  
 Current consumption: 40 mA (depends on power supply voltage and configuration)  
 Frequency: 868 - 870 MHz divided into the sub-ranges  
 Modulation: GFSK  
 Data rate: 1,2 – 500 kBaud  
 Output power: up to 10 dBm  
 Reader sensitivity: -111 dBm @ 1,2 kBaud

#### Mechanical parameters

Dimensions: Ø110 x 37 mm  
 Weight: 60 g  
 Material: ABS

## ACCESS MANAGER

In the stand alone or the online operating modes, the ACCESS Manager operates as the master.

In this operating mode, it manages the closing diagram. As soon as a data carrier is registered on the wall reader within a reading distance of up to 3-4 cm, the information (code, activation and expiry dates, time zone, etc.) in the data carried can be exported.

These data are managed directly in the access manager.

The communication is carried out via the mobile data transfer unit via NFC or Jackcomm adapter or wireless online

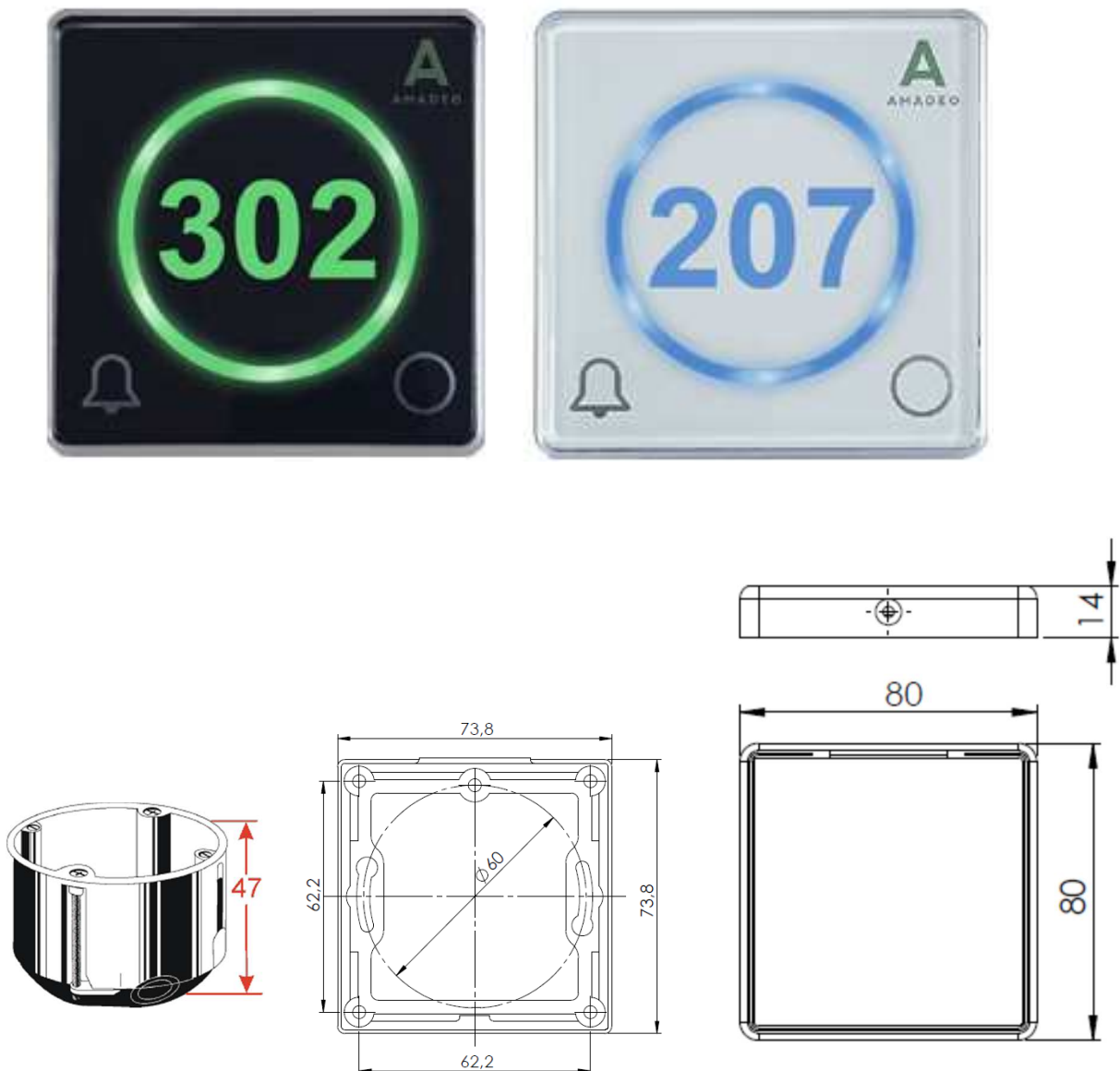
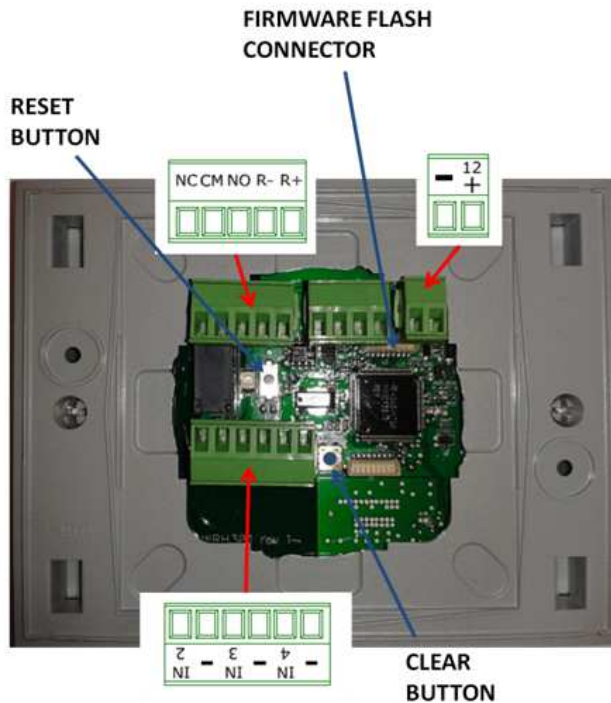


Abb. 4: Access Manager

# ACCESS MANAGER

## Wallreader Connectivity



### OUTPUT



*If used relay on PCB*

NC: Normally Close  
CM: Comun  
NO: Normally Open

*If used external relay*

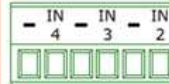
R-: Relay -  
R+: Relay +

### POWER



- : Ground  
12+: +12 volts DC

### INPUTS



IN 4: Input 4  
IN 3: Input 3  
IN 2: Input 2  
- : Ground

RESET  
BUTTON



CLEAR  
BUTTON



FIRMWARE FLASH  
CONNECTOR



## TECHNICAL DETAILS:

Acoustic signal	YES
LED display in	red/green/blue
According to	ISO 14443 A, ISO 15893
Multi application	With all ISO RFID cards in accordance with ISO 14 443A, ISO 15 693, RFID arm bands or key rings & NFC mobile telephones
Compatible	Mifare UI, Classic, Plus, Desfire, NFC, Wifi, Door Manager
Firmware flushable	YES
Shalpe	Attractively shaped plastic housing made from Makrolon
Colour	Silver or Bronze frame, black or white— custom printable cover
Housing	Shock resistant, sabotage safe, suitable for 68 round socket, IP 44
Voltage supply	9-60V DC and appr. 50 mA
Temperature range	0°C to 65°C
Humidity range	Up to 95% air humidity (without condensation)
Dimensionen	80x80x14mm

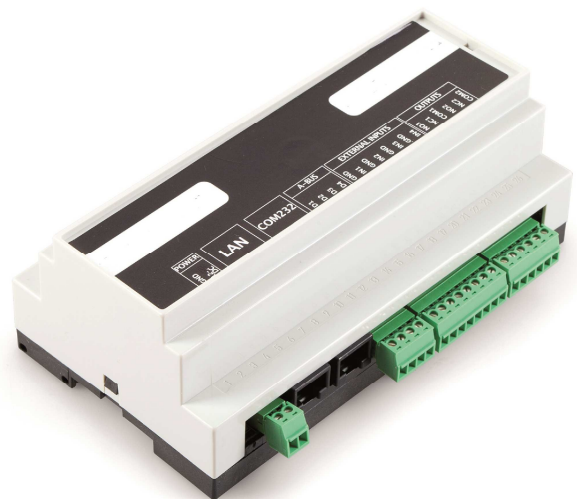
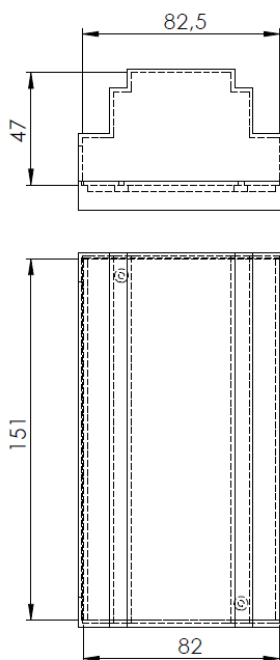
## DOOR MANAGER

For potential-free control of electric strikes, automatic doors, barriers, etc.,

### TECHNICAL DETAILS:

The door manager is in the DIN top rail housing with

Potential-free relay outputs	32
Potential-free inputs	8
Power supply	2 x 2A / 12V
A-BUS	For a cable length of up to 15 m
Power supply	12—40V DC



Door manager

Head Office:

AMADEO Systems GmbH

Skrabalgasse 8/1

A-1220 Vienna, Austria

Telephone +43 1 269 63 28—0

E-Mail: [office@amadeosystems.com](mailto:office@amadeosystems.com)